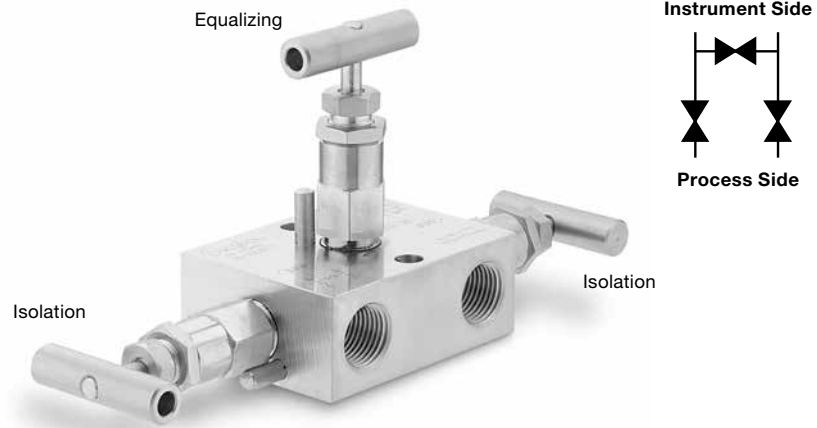


V Series 3-Valve Manifolds

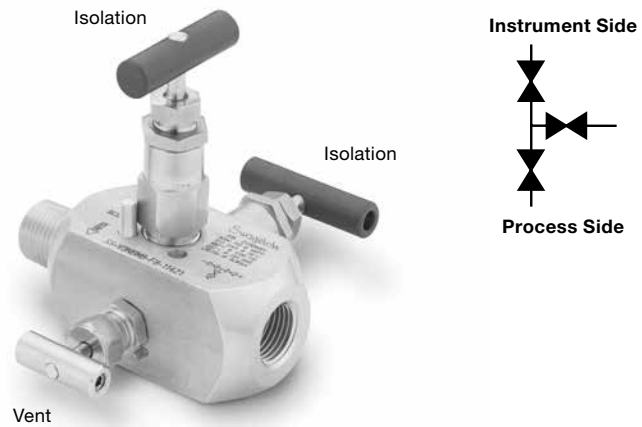
Traditional Body

- Designed for mounting on differential pressure transmitters with 2 1/8 in. (54 mm) center-to-center connections
- Consists of two isolation valves and one equalizing valve
- End connections—1/2 in. and 12 mm female Swagelok tube fitting, 1/2 in. female pipe (NPT), and flange (MSS)
- Instrument flange mount and remote mount



Compact Body

- Allows for block and bleed (or calibration) of a gauge or absolute pressure transmitter or gauge
- Consists of two isolation valves and one vent valve
- End connections—1/2 in. female pipe (NPT)
- Direct instrument mount and remote mount

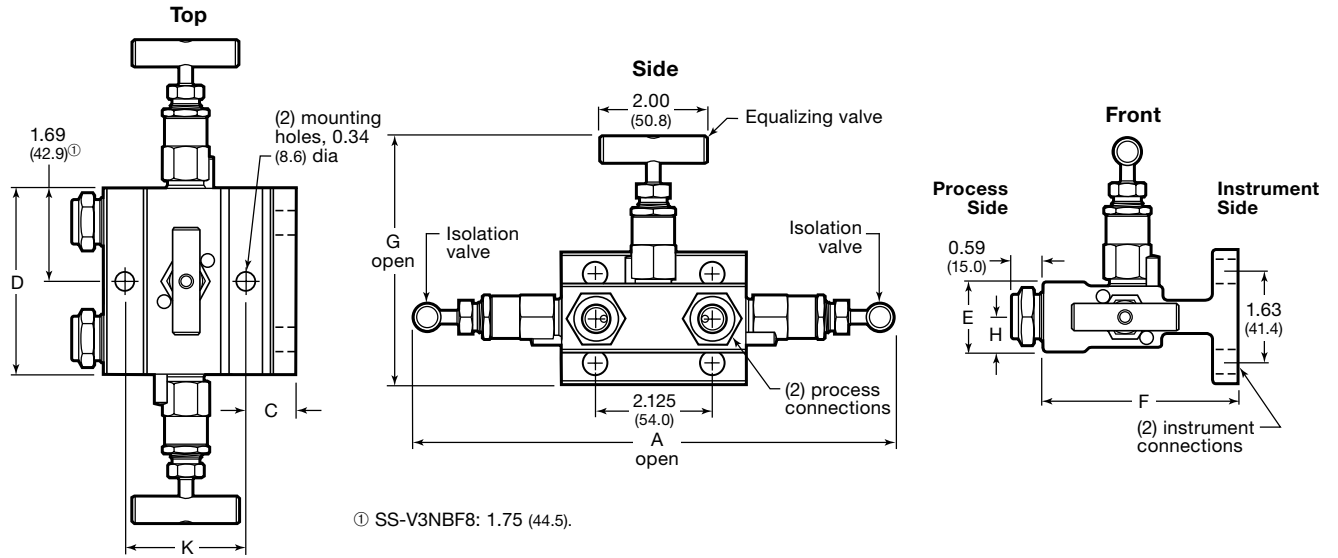


V Series 3-Valve Manifolds

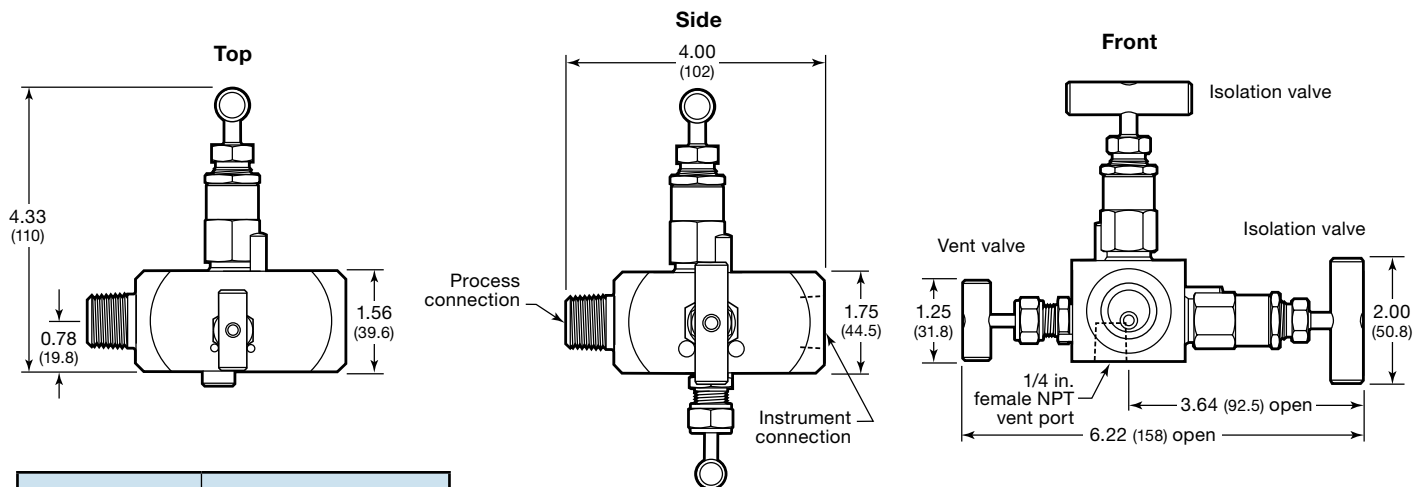
Ordering Information and Dimensions

Dimensions, in inches (millimeters), are for reference only and are subject to change.

Manifold with Female Swagelok Tube Fitting-To-Flange Connections



End Connections		Ordering Number	Dimensions, in. (mm)							
Process	Instrument		A	C	D	E	F	G	H	K
1/2 in. female NPT		SS-V3NBF8	9.03 (229)	0.31 (7.9)	3.50 (88.9)	1.31 (33.3)	2.50 (63.5)	4.08 (104)	0.66 (16.8)	1.88 (47.8)
1/2 in. female NPT	Flange (MSS)	SS-V3NBF8-FL	8.91 (226)	0.90 (22.9)	3.38 (85.9)	1.25 (31.8)	3.48 (88.4)	4.51 (115)	0.63 (16.0)	2.19 (55.6)
1/2 in. female Swagelok tube fitting		SS-V3NBFS8		0.46 (11.7)		1.31 (33.3)	3.04 (77.2)	4.08 (104)	0.66 (16.8)	1.88 (47.8)
1/2 in. female Swagelok tube fitting	Flange (MSS)	SS-V3NBFS8-FL		0.90 (22.9)		1.25 (31.8)	3.48 (88.4)	4.51 (115)	0.63 (16.0)	2.19 (55.6)
12 mm female Swagelok tube fitting		SS-V3NBFS12MM		0.46 (11.7)		1.31 (33.3)	3.04 (77.2)	4.08 (104)	0.66 (16.8)	1.88 (47.8)
12 mm female Swagelok tube fitting	Flange (MSS)	SS-V3NBFS12MM-FL		0.90 (22.9)		1.25 (31.8)	3.48 (88.4)	4.51 (115)	0.63 (16.0)	2.19 (55.6)
Flange (MSS)		SS-V3NBFL				2.40 (61.0)	4.07 (103)	4.55 (116)	1.20 (30.5)	1.88 (47.8)



Inlet End Connection	Ordering Number
1/2 in. male NPT	SS-V3NBM8-F8-11421
3/4 in. male NPT	SS-V3NBM12-F8-11421